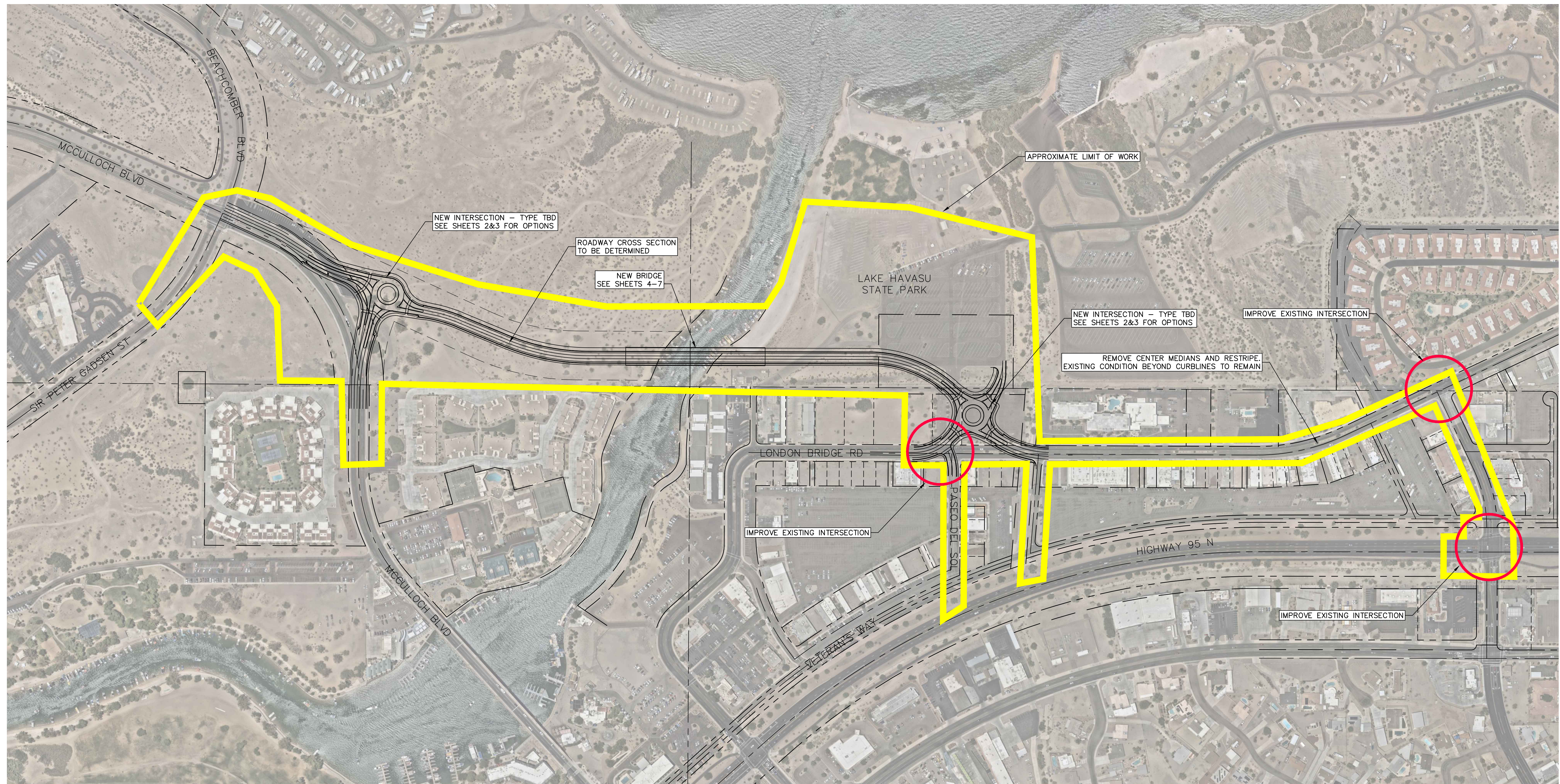
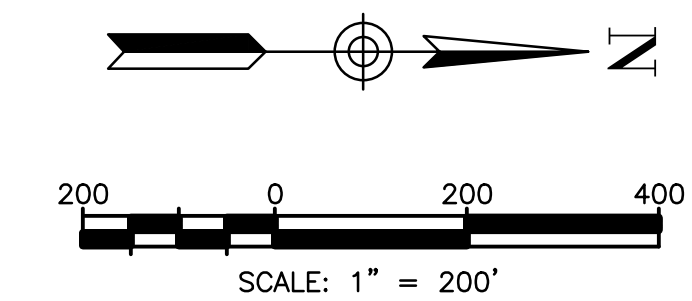


LAKE HAVASU SECOND BRIDGE

20% PRELIMINARY DESIGN



SHEET INDEX	
SHEET NO.	SHEET TITLE
1	TITLE SHEET
2	ROADWAY ALIGNMENT - SIGNALS
3	ROADWAY ALIGNMENT - ROUNDABOUTS
4	BRIDGE - SIMPLE SPAN OPTION
5	BRIDGE - CONTINUOUS OPTION
6	TYPICAL SECTION - STEEL PLATE GIRDER
7	TYPICAL SECTION - BOX GIRDER
8	UTILITY LAYOUT



NV5

1 W DEER VALLEY RD, SUITE 105
PHOENIX, AZ 85027
P: 623.374.6637 WWW.NV5.COM

NO.	REVISIONS	BY

LAKE HAVASU SECOND BRIDGE
PROJECT No. 106015

LAKE HAVASU CITY
ARIZONA
PUBLIC WORKS DEPARTMENT

DRAWN	NV5
DESIGNED	
APPROVED	
DATE	12/18/24
SCALE	
NOTED	
SHEET	
1 OF 8 SHEETS	

LHC SECOND ISLAND BRIDGE NEW ROADWAY PROPOSED ALIGNMENT - SIGNALS

NOTE: THE ROADWAY AND INTERSECTIONS ARE PRELIMINARY CONCEPTS AND NEED TO BE FURTHER DEVELOPED WITH THE PROJECT SURVEY DATA AND TRAFFIC ANALYSIS



REVISIONS	BY

LAKE HAVASU SECOND BRIDGE
PROJECT No. 106015

**LAKE HAVASU CITY
ARIZONA**
PUBLIC WORKS DEPARTMENT

DRAWN
DESIGNED JM
APPROVED
DATE
SCALE NTS
SHEET
2 OF 8 SHEETS

CALL TWO WORKING DAYS BEFORE YOU DIG
1-800-STAKE-IT
1-800-782-5348
(OUTSIDE MARICOPA COUNTY)

LHC SECOND ISLAND BRIDGE NEW ROADWAY PROPOSED ALIGNMENT - ROUNDABOUTS

NOTE: THE ROADWAY AND INTERSECTIONS ARE PRELIMINARY CONCEPTS AND NEED TO BE FURTHER DEVELOPED WITH THE PROJECT SURVEY DATA AND TRAFFIC ANALYSIS



REVISIONS	BY

LAKE HAVASU SECOND BRIDGE
PROJECT No. 106015

**LAKE HAVASU CITY
ARIZONA**
PUBLIC WORKS DEPARTMENT

DRAWN	CP
DESIGNED	JM
APPROVED	
DATE	12/11/24
SCALE	NTS
SHEET	

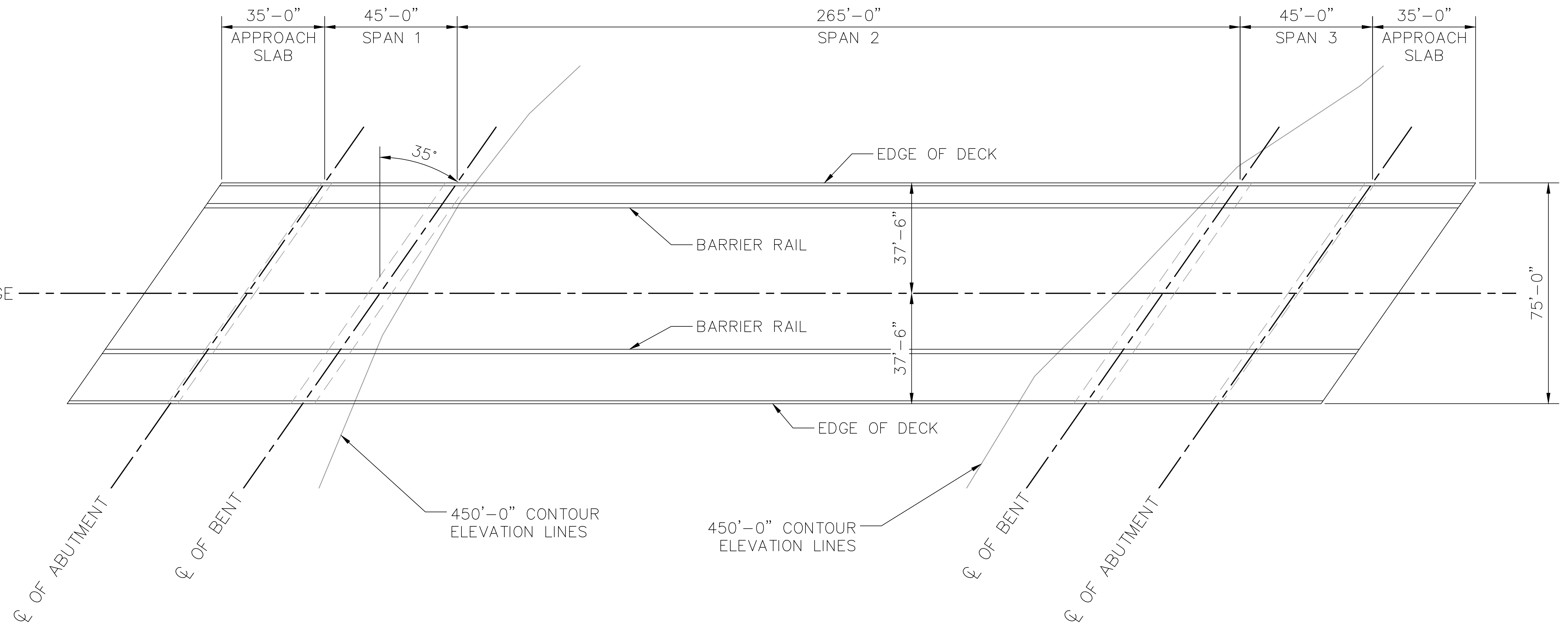
CALL TWO WORKING DAYS BEFORE YOU DIG
1-800-STAKE-IT
1-800-782-5348
(OUTSIDE MARICOPA COUNTY)

NO.	REVISIONS	BY

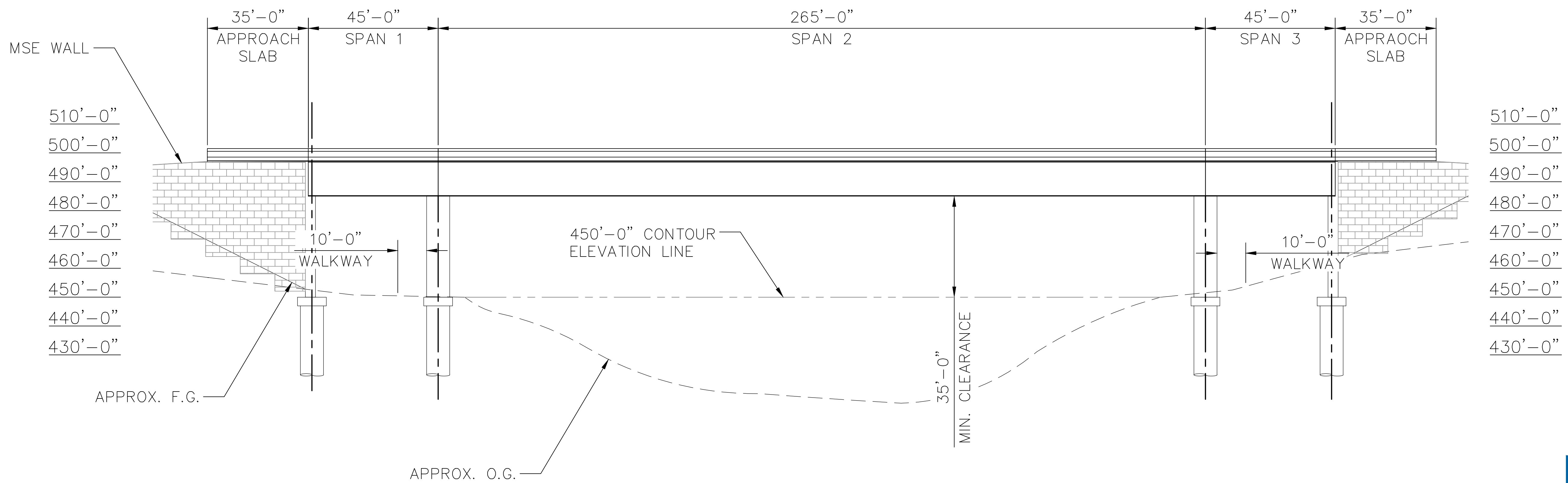
LAKE HAVASU SECOND BRIDGE
PROJECT No. 106015

LAKE HAVASU CITY
ARIZONA
PUBLIC WORKS DEPARTMENT

DRAWN	NV5
DESIGNED	
APPROVED	
DATE	12/18/24
SCALE	
NOTED	
SHEET	S-1
4 OF 8 SHEETS	



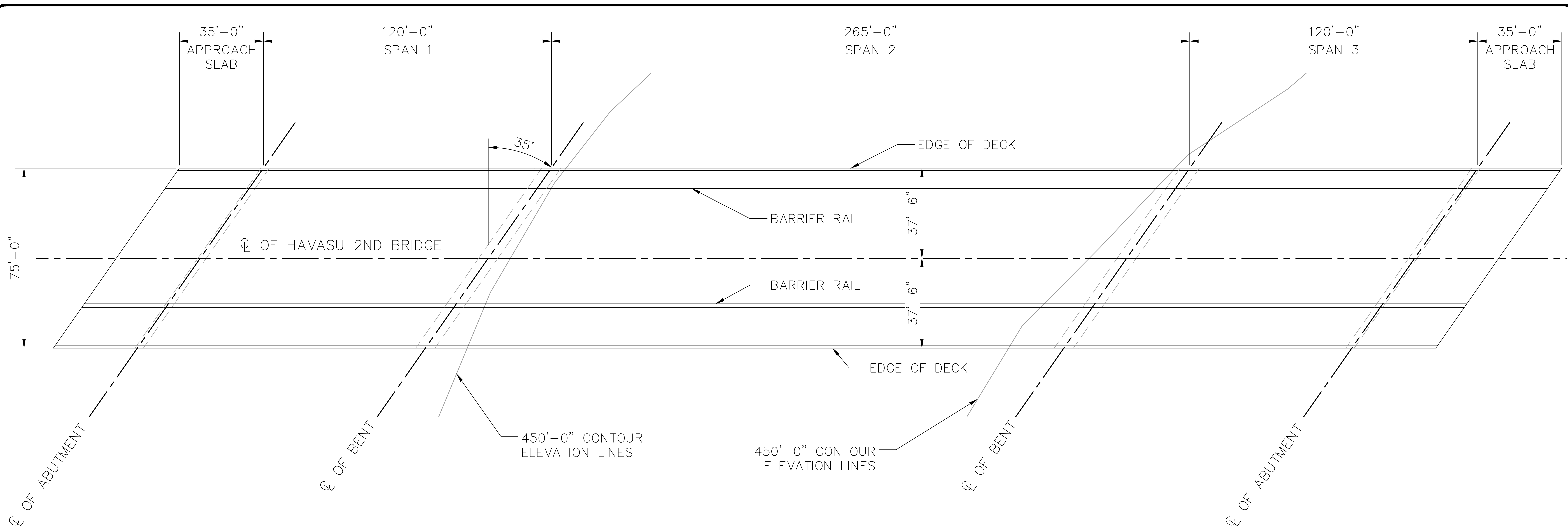
SIMPLE SPAN BRIDGE OPTION – PLAN



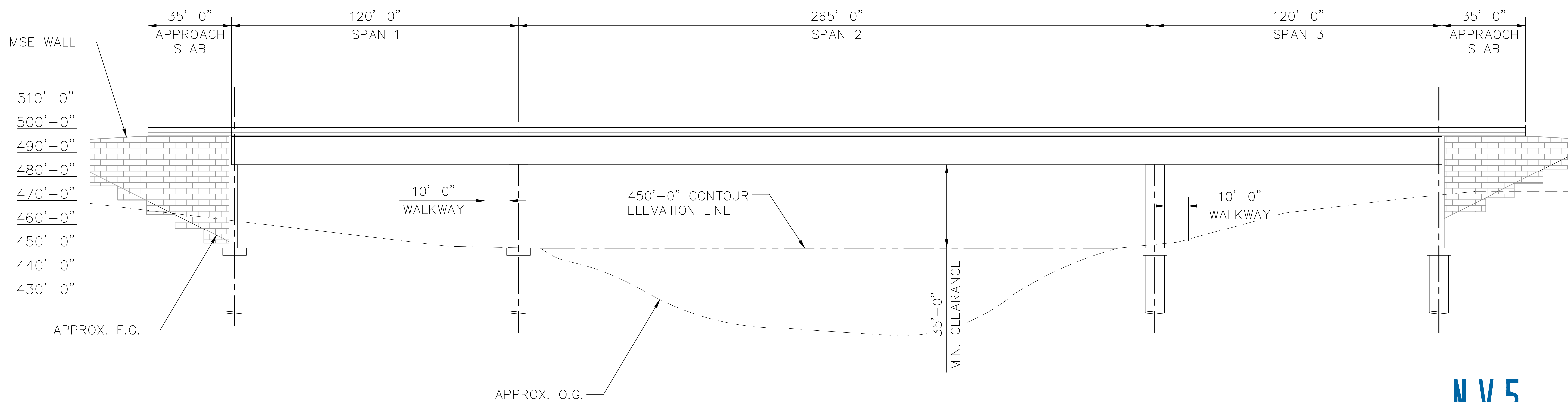
SIMPLE SPAN BRIDGE OPTION – ELEVATION



1 W DEER VALLEY RD, SUITE 105
PHOENIX, AZ 85027
P: 623.374.6637 WWW.NV5.COM



CONTINUOUS BRIDGE OPTION – PLAN



CONTINUOUS BRIDGE OPTION – ELEVATION

20% PRELIMINARY DESIGN - NOT FOR CONSTRUCTION

NO.	REVISIONS	BY

LAKE HAVASU SECOND BRIDGE
PROJECT No. 106015

LAKE HAVASU CITY
ARIZONA
PUBLIC WORKS DEPARTMENT

DATE	SCALE	SHEET
12/18/24	NOTED	S-2

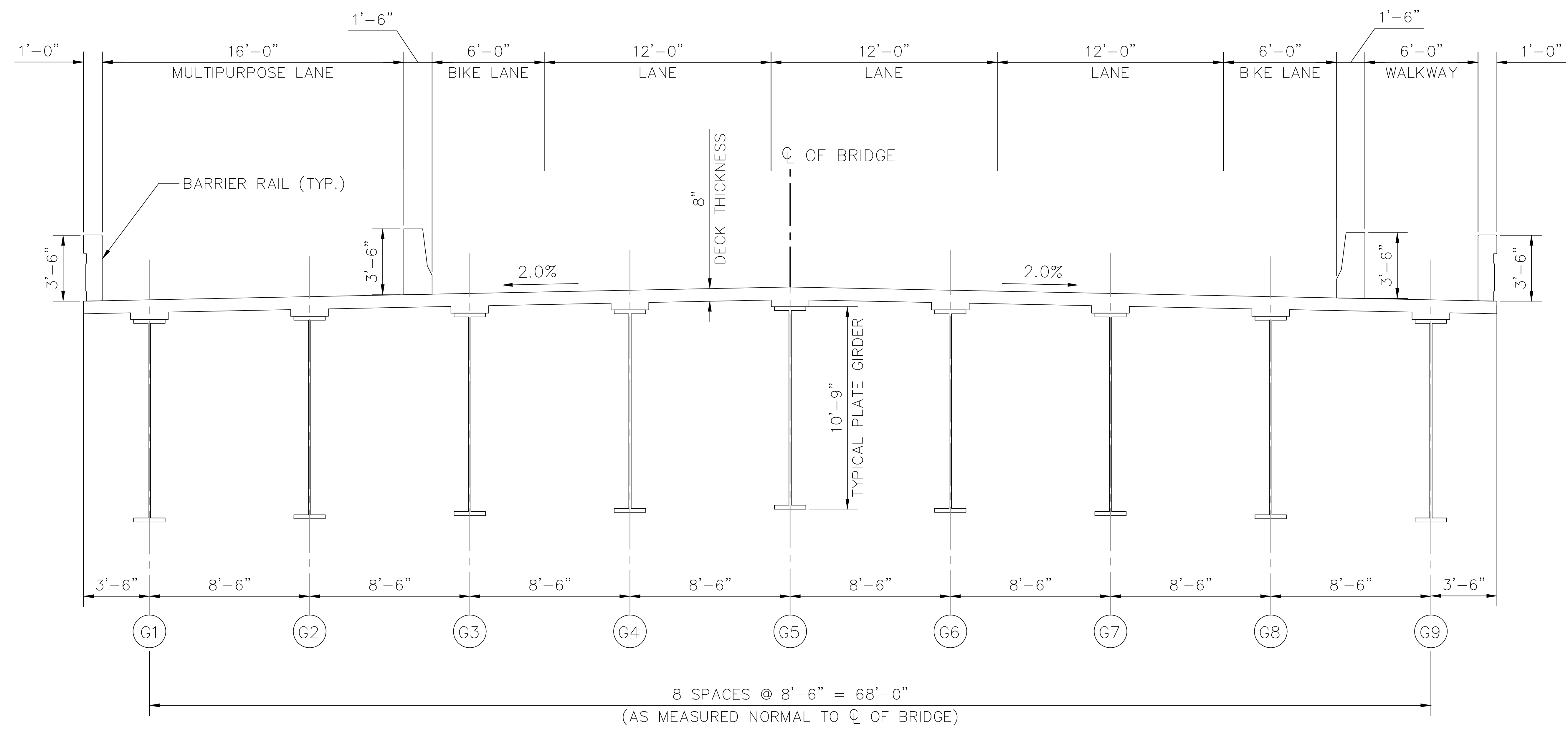
NV5
1 W DEER VALLEY RD, SUITE 105
PHOENIX, AZ 85027
P: 623.374.6637 WWW.NV5.COM

NO.	REVISIONS	BY

LAKE HAVASU SECOND BRIDGE
PROJECT No. 106015

LAKE HAVASU CITY
ARIZONA
PUBLIC WORKS DEPARTMENT

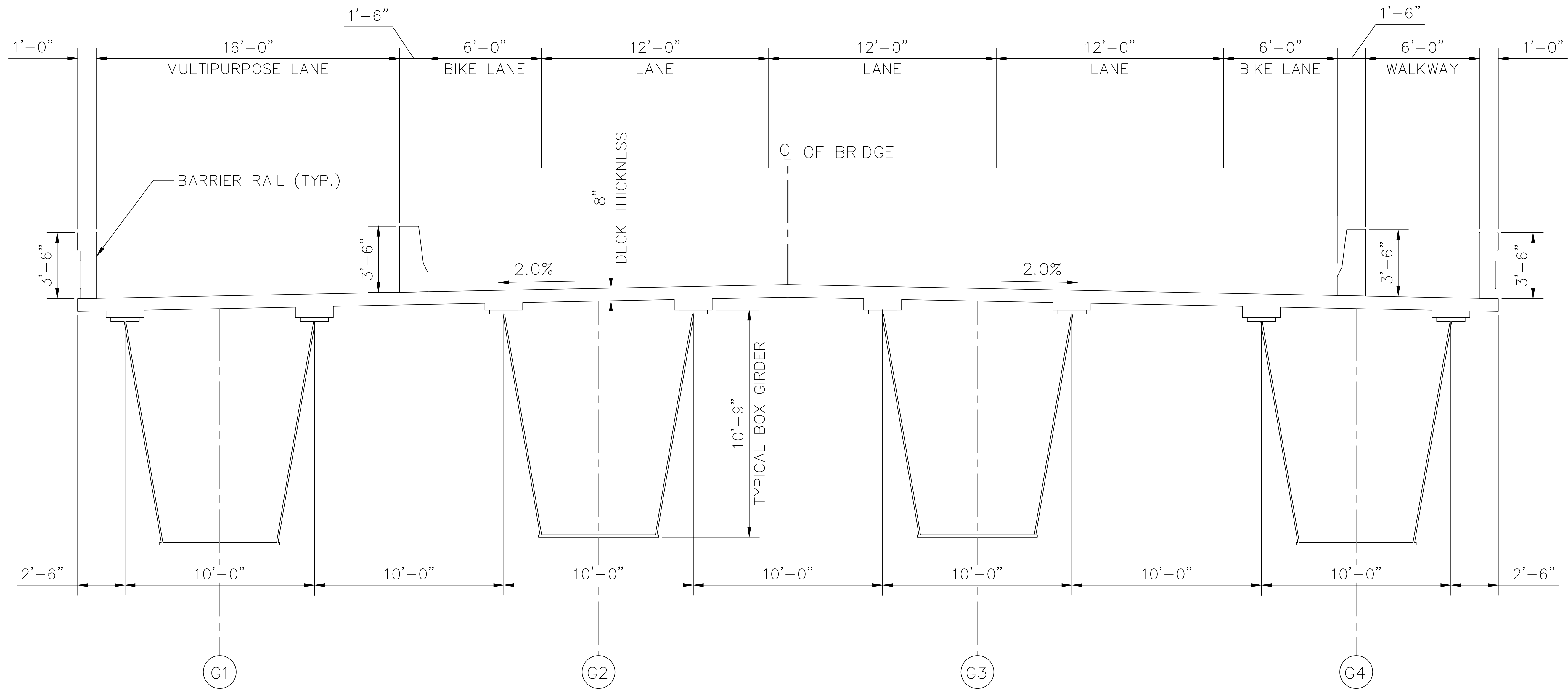
DRAWN	NV5
DESIGNED	
APPROVED	
DATE	12/18/24
SCALE	
NOTED	
SHEET	S-3
6 OF 8 SHEETS	



TYPICAL SECTION – STEEL PLATE GIRDER



1 W DEER VALLEY RD, SUITE 105
PHOENIX, AZ 85027
P: 623.374.6637 WWW.NV5.COM



TYPICAL SECTION – BOX GIRDER

NO.	REVISIONS	BY

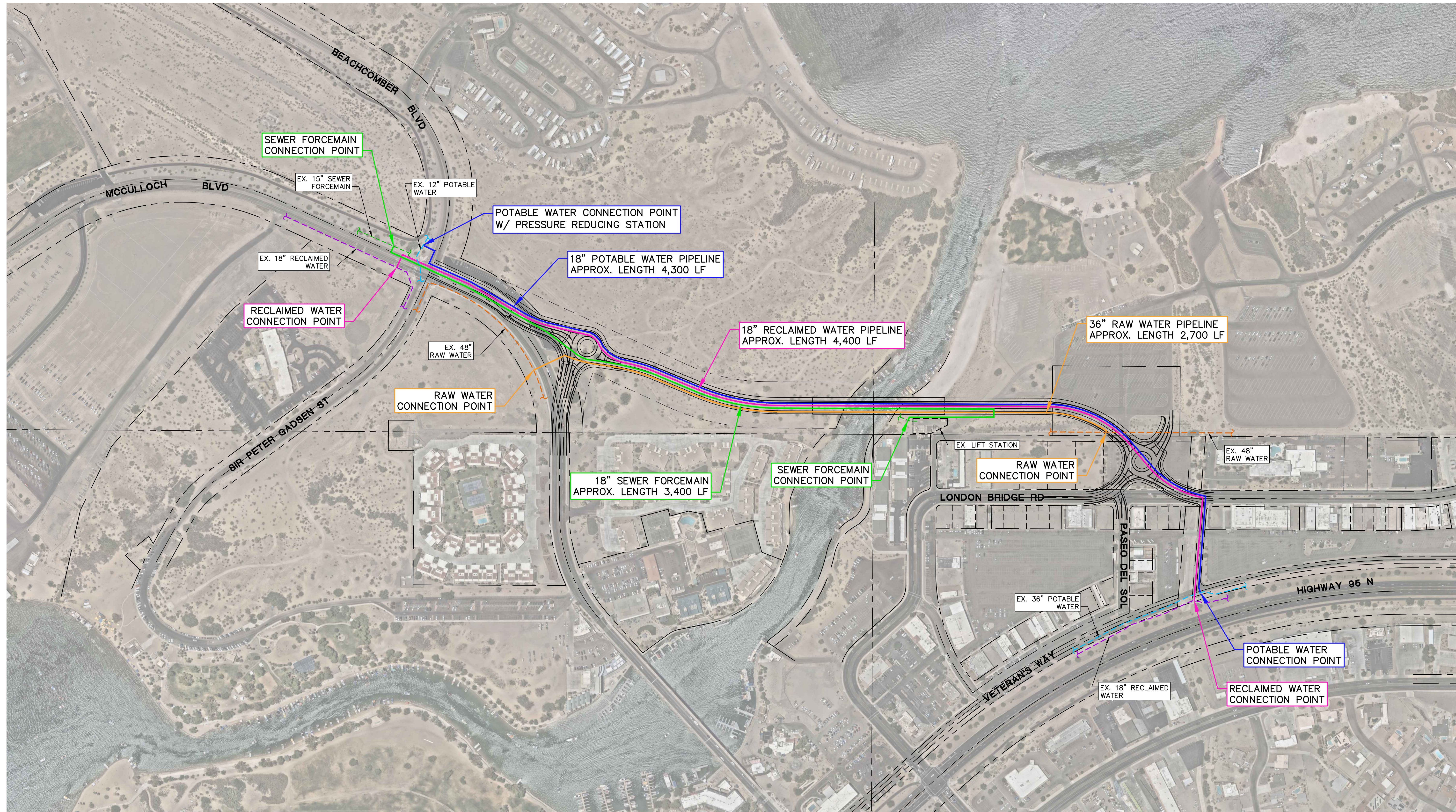
LAKE HAVASU SECOND BRIDGE
PROJECT No. 106015

LAKE HAVASU CITY
ARIZONA
PUBLIC WORKS DEPARTMENT

DRAWN	NV5
DESIGNED	
APPROVED	
DATE	12/18/24
SCALE	
NOTED	
SHEET	S-4
7 OF 8 SHEETS	

NV5

1 W DEER VALLEY RD, SUITE 105
PHOENIX, AZ 85027
P: 623.374.6637 WWW.NV5.COM



NO.	REVISIONS	BY

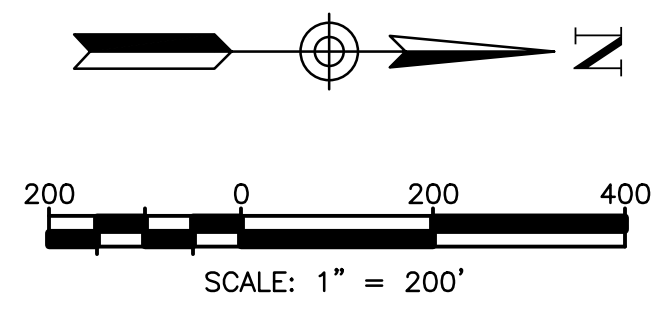
LAKE HAVASU SECOND BRIDGE
PROJECT No. 106015

LAKE HAVASU CITY
ARIZONA
PUBLIC WORKS DEPARTMENT

DRAWN	NV5
DESIGNED	
APPROVED	
DATE	12/12/24
SCALE	
NOTED	
SHEET	



20% PRELIMINARY DESIGN - NOT FOR CONSTRUCTION



NV5

1 W DEER VALLEY RD, SUITE 105
PHOENIX, AZ 85027
P: 623.374.6637 WWW.NV5.COM